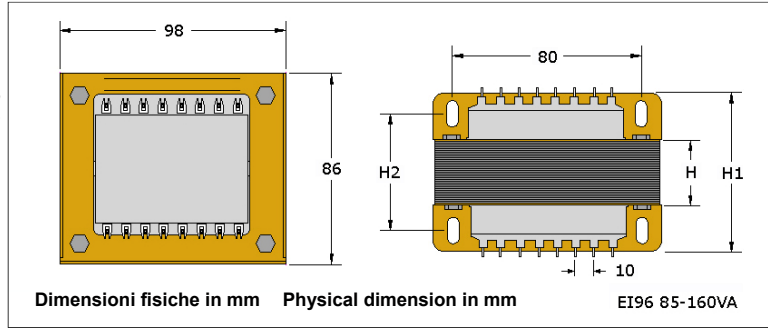


85VA H2= 55
 94VA H2= 58
 102VA H2= 61
 108VA H2= 63
 120VA H2= 68
 135VA H2= 73
 147VA H2= 78
 160VA H2= 83



85VA EI 96/32 H1=75mm W. 2Kg			94VA EI 96/35 H1=78mm W. 2.25Kg			102VA EI 96/38 H1=81mm W. 2.45Kg			108VA EI 96/40 H1=83mm W. 2.58Kg		
Pins	1-6	8-11	Pins	1-6	8-11	Pins	1-6	8-11	Pins	1-6	8-11
Code	Pri (V)	Sec(V)	Code	Pri (V)	Sec(V)	Code	Pri (V)	Sec(V)	Code	Pri (V)	Sec(V)
42170901	230	6	42171201	230	6	42171501	230	6	42171701	230	6
42170911	230	9	42171211	230	9	42171511	230	9	42171711	230	9
42170921	230	12	42171221	230	12	42171521	230	12	42171721	230	12
42170931	230	15	42171231	230	15	42171531	230	15	42171731	230	15
42170941	230	18	42171241	230	18	42171541	230	18	42171741	230	18
42170951	230	24	42171251	230	24	42171551	230	24	42171751	230	24
On Request	115	6	On Request	115	6	On Request	115	6	On Request	115	6
On Request	115	9	On Request	115	9	On Request	115	9	On Request	115	9
On Request	115	12	On Request	115	12	On Request	115	12	On Request	115	12
On Request	115	15	On Request	115	15	On Request	115	15	On Request	115	15
On Request	115	18	On Request	115	18	On Request	115	18	On Request	115	18
On Request	115	24	On Request	115	24	On Request	115	24	On Request	115	24
Pins	1-6	7-8 11-12	Pins	1-6	7-8 11-12	Pins	1-6	7-8 11-12	Pins	1-6	7-8 11-12
42171001	230	2x6	42171301	230	2x6	42171601	230	2x6	42171801	230	2x6
42171011	230	2x9	42171311	230	2x9	42171611	230	2x9	42171901	230	2x9
42171021	230	2x12	42171321	230	2x12	42171621	230	2x12	42172001	230	2x12
42171031	230	2x15	42171331	230	2x15	42171631	230	2x15	42172501	230	2x15
42171041	230	2x18	42171341	230	2x18	42171641	230	2x18	42173001	230	2x18
42171051	230	2x21	42171351	230	2x21	42171651	230	2x21	42173501	230	2x21
On Request	115	2x6	On Request	115	2x6	On Request	115	2x6	On Request	115	2x6
On Request	115		On Request	115		On Request	115		On Request	115	
On Request	115		On Request	115		On Request	115		On Request	115	
On Request	115	2x21	On Request	115	2x21	On Request	115	2x21	On Request	115	2x21

120VA EI 96/45 H1=88mm W. 2.70Kg			135VA EI 96/50 H1=93mm W. 2.90Kg			147VA EI 96/55 H1=98mm W. 3.06Kg			160VA EI 96/60 H1=103mm W. 3.4Kg		
Pins	1-6	8-11	Pins	1-6	8-11	Pins	1-6	8-11	Pins	1-6	8-11
Code	Pri (V)	Sec(V)	Code	Pri (V)	Sec(V)	Code	Pri (V)	Sec(V)	Code	Pri (V)	Sec(V)
42174001	230	6	42175001	230	6	42179001	230	6	42179501	230	6
42174011	230	9	42175101	230	9	42179011	230	9	42179511	230	9
42174021	230	12	42175201	230	12	42179021	230	12	42179521	230	12
42174031	230	15	42175301	230	15	42179031	230	15	42179531	230	15
42174041	230	18	42175401	230	18	42179041	230	18	42179541	230	18
42174051	230	24	42175501	230	24	42179051	230	24	42179551	230	24
On Request	115	6	On Request	115	6	On Request	115	6	On Request	115	6
On Request	115	9	On Request	115	9	On Request	115	9	On Request	115	9
On Request	115	12	On Request	115	12	On Request	115	12	On Request	115	12
On Request	115	15	On Request	115	15	On Request	115	15	On Request	115	15
On Request	115	18	On Request	115	18	On Request	115	18	On Request	115	18
On Request	115	24	On Request	115	24	On Request	115	24	On Request	115	24
Pins	1-6	7-8 11-12	Pins	1-6	7-8 11-12	Pins	1-6	7-8 11-12	Pins	1-6	7-8 11-12
42174501	230	2x6	42176001	230	2x6	42179101	230	2x6	42179601	230	2x6
42174511	230	2x9	42176501	230	2x9	42179111	230	2x9	42179611	230	2x9
42174521	230	2x12	42177001	230	2x12	42179121	230	2x12	42179621	230	2x12
42174531	230	2x15	42177501	230	2x15	42179131	230	2x15	42179631	230	2x15
42174541	230	2x18	42178001	230	2x18	42179141	230	2x18	42179641	230	2x18
42174551	230	2x21	42178501	230	2x21	42179151	230	2x21	42179651	230	2x21
On Request	115	2x6	On Request	115	2x6	On Request	115	2x6	On Request	115	2x6
On Request	115		On Request	115		On Request	115		On Request	115	
On Request	115		On Request	115		On Request	115		On Request	115	
On Request	115	2x21	On Request	115	2x21	On Request	115	2x21	On Request	115	2x21

Dati tecnici	Technical data
Conformità norme EN 61558-UL 5085	EN 61558-UL5085 approved
Marchio ENEC; classe B	ENEC mark; class B
Marchio cURus (UL+CSA); classe A	cURus mark; class A
Tensione di isolamento 3750 VAC	Insulation voltage 3750 VAC
Frequenza nominale 50/60 Hz	Nominal frequency 50/60 Hz
Temperatura ambiente 40 °C	Ambient temperature 40 °C
Conforme alla direttiva RoHS	RoHS conform
Grado di protezione IP00	Degree of protection IP00
Rocchetto a doppia camera	Two chambers coilformer
Avvolgimenti in rame smaltato classe H	Class H enamelled copper wire coils
Vernice isolante	Finishing varnish
Test elettrici sul 100% della produzione	100% tested production



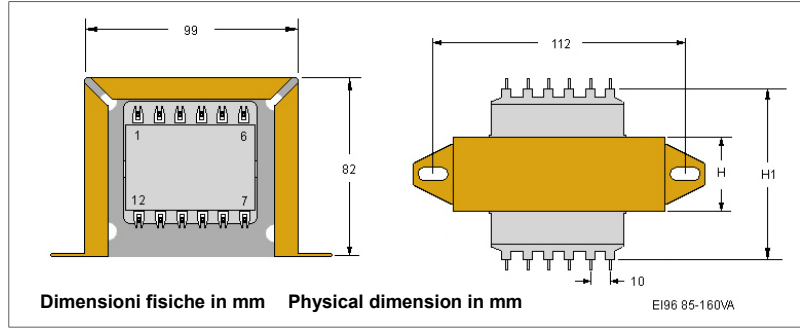
Su richiesta primario fino a 600V secondario fino a 600V
 On request primary up to 600V secondary up to 600V





EI96 PCB e faston Transformers 85-160VA

Italtras



85VA EI 96/32 H1=74mm W. 2Kg			94VA EI 96/35 H1=77mm W. 2.25Kg			102VA EI 96/38 H1=80mm W. 2.45Kg			108VA EI 96/40 H1=82mm W. 2.58Kg		
Pins	1-6	8-11	Pins	1-6	8-11	Pins	1-6	8-11	Pins	1-6	8-11
Code	Pri (V)	Sec(V)	Code	Pri (V)	Sec(V)	Code	Pri (V)	Sec(V)	Code	Pri (V)	Sec(V)
42170900	230	6	42171200	230	6	42171500	230	6	42171700	230	6
42170910	230	9	42171210	230	9	42171510	230	9	42171710	230	9
42170920	230	12	42171220	230	12	42171520	230	12	42171720	230	12
42170930	230	15	42171230	230	15	42171530	230	15	42171730	230	15
42170940	230	18	42171240	230	18	42171540	230	18	42171740	230	18
42170950	230	24	42171250	230	24	42171550	230	24	42171750	230	24
On Request	115	6	On Request	115	6	On Request	115	6	On Request	115	6
On Request	115	9	On Request	115	9	On Request	115	9	On Request	115	9
On Request	115	12	On Request	115	12	On Request	115	12	On Request	115	12
On Request	115	15	On Request	115	15	On Request	115	15	On Request	115	15
On Request	115	18	On Request	115	18	On Request	115	18	On Request	115	18
On Request	115	24	On Request	115	24	On Request	115	24	On Request	115	24
Pins	1-6	7-8	11-12	Pins	1-6	7-8	11-12	Pins	1-6	7-8	11-12
42171000	230	2x6		42171300	230	2x6		42171600	230	2x6	
42171010	230	2x9		42171310	230	2x9		42171610	230	2x9	
42171020	230	2x12		42171320	230	2x12		42171620	230	2x12	
42171030	230	2x15		42171330	230	2x15		42171630	230	2x15	
42171040	230	2x18		42171340	230	2x18		42171640	230	2x18	
42171050	230	2x21		42171350	230	2x21		42171650	230	2x21	
On Request	115	2x6		On Request	115	2x6		On Request	115	2x6	
On Request	115			On Request	115			On Request	115		
On Request	115			On Request	115			On Request	115		
On Request	115	2x21		On Request	115	2x21		On Request	115	2x21	

120VA EI 96/45 H1=87mm W. 2.70Kg			135VA EI 96/50 H1=92mm W. 2.90Kg			147VA EI 96/55 H1=97mm W. 3.06Kg			160VA EI 96/60 H1=102mm W. 3.4Kg		
Pins	1-6	8-11	Pins	1-6	8-11	Pins	1-6	8-11	Pins	1-6	8-11
Code	Pri (V)	Sec(V)	Code	Pri (V)	Sec(V)	Code	Pri (V)	Sec(V)	Code	Pri (V)	Sec(V)
42174000	230	6	42175000	230	6	42179000	230	6	42179500	230	6
42174010	230	9	42175100	230	9	42179010	230	9	42179510	230	9
42174020	230	12	42175200	230	12	42179020	230	12	42179520	230	12
42174030	230	15	42175300	230	15	42179030	230	15	42179530	230	15
42174040	230	18	42175400	230	18	42179040	230	18	42179540	230	18
42174050	230	24	42175500	230	24	42179050	230	24	42179550	230	24
On Request	115	6	On Request	115	6	On Request	115	6	On Request	115	6
On Request	115	9	On Request	115	9	On Request	115	9	On Request	115	9
On Request	115	12	On Request	115	12	On Request	115	12	On Request	115	12
On Request	115	15	On Request	115	15	On Request	115	15	On Request	115	15
On Request	115	18	On Request	115	18	On Request	115	18	On Request	115	18
On Request	115	24	On Request	115	24	On Request	115	24	On Request	115	24
Pins	1-6	7-8	11-12	Pins	1-6	7-8	11-12	Pins	1-6	7-8	11-12
42174500	230	2x6		42176000	230	2x6		42179100	230	2x6	
42174510	230	2x9		42176500	230	2x9		42179110	230	2x9	
42174520	230	2x12		42177000	230	2x12		42179120	230	2x12	
42174530	230	2x15		42177500	230	2x15		42179130	230	2x15	
42174540	230	2x18		42178000	230	2x18		42179140	230	2x18	
42174550	230	2x21		42178500	230	2x21		42179150	230	2x21	
On Request	115	2x6		On Request	115	2x6		On Request	115	2x6	
On Request	115			On Request	115			On Request	115		
On Request	115			On Request	115			On Request	115		
On Request	115	2x21		On Request	115	2x21		On Request	115	2x21	

Dati tecnici	Technical data
Conformità alle norme CEI EN 61558 - RoHS	CEI EN 61558 approved - RoHS
Certificazione internazionale ENEC	ENEC international certification
Non protetto contro il corto circuito	Not protected against the shortcircuit
Tensione di isolamento 3750 VAC	Insulation voltage 3750 VAC
Frequenza nominale 50/60 Hz	Nominal frequency 50/60 Hz
Temperatura ambiente 40 °C	Ambient temperature 40 °C
Sistema di isolamento classe B	Class B insulation system
Grado di protezione IP00	Degree of protection IP00
Rocchetto a doppia camera	Two chambers coilformer
Avvolgimenti in rame smaltato classe H	Class H enamelled copper wire coils
Vernice Isolante	Finishing varnish
Test elettrici sul 100% della produzione	100% tested production

Iso 9001 Certified

