



### FASTON VERSION

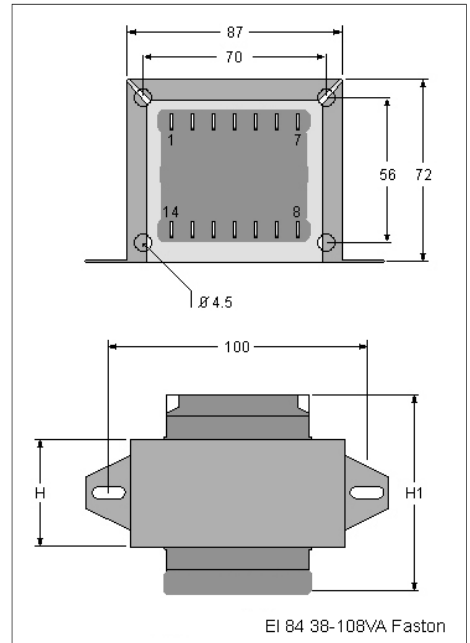
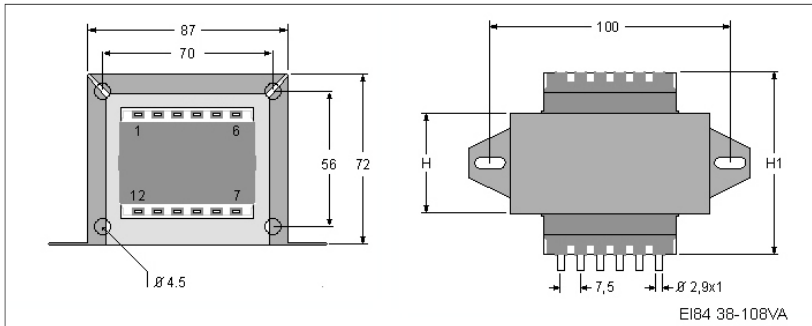
PRI (1-7) - SEC (9-13)  
 PRI (1-7) - 2xSEC (8-9-13-14)

Codice con 2 nel finale: xxxxxxx2  
 Code with 2 in the final: xxxxxxx2

38VA H1=75 mm    72VA H1=94 mm  
 50VA H1=82 mm    81VA H1=99 mm  
 55VA H1=84 mm    90VA H1=104 mm  
 63VA H1=89 mm    108VA H1=114 mm

Dimensioni fisiche in mm    Physical dimension in mm

38VA EI 84/21 H1=59mm W. 1.1Kg			50VA EI 84/28 H1=66mm W. 1.33Kg			55VA EI 84/30 H1=68mm W. 1.43Kg			63VA EI 84/35 H1=73mm W. 1.63Kg		
Pins	1-6	8-11	Pins	1-6	8-11	Pins	1-6	8-11	Pins	1-6	8-11
Code	Pri (V)	Sec(V)	Code	Pri (V)	Sec(V)	Code	Pri (V)	Sec(V)	Code	Pri (V)	Sec(V)
42150500	230	6	42161000	230	6	42161500	230	6	42164500	230	6
42150600	230	9	42161010	230	9	42161510	230	9	42164510	230	9
42150700	230	12	42161020	230	12	42161520	230	12	42164520	230	12
42150800	230	15	42161030	230	15	42161530	230	15	42164530	230	15
42150900	230	18	42161040	230	18	42161540	230	18	42164540	230	18
42151000	230	24	42161050	230	24	42161550	230	24	42164550	230	24
On Request	115	6	On Request	115	6	On Request	115	6	On Request	115	6
On Request	115	9	On Request	115	9	On Request	115	9	On Request	115	9
On Request	115	12	On Request	115	12	On Request	115	12	On Request	115	12
On Request	115	15	On Request	115	15	On Request	115	15	On Request	115	15
On Request	115	18	On Request	115	18	On Request	115	18	On Request	115	18
On Request	115	24	On Request	115	24	On Request	115	24	On Request	115	24
Pins	1-6	7-8 11-12	Pins	1-6	7-8 11-12	Pins	1-6	7-8 11-12	Pins	1-6	7-8 11-12
42151500	230	2x6	42161100	230	2x6	42161900	230	2x6	42165000	230	2x6
42152000	230	2x9	42161110	230	2x9	42162000	230	2x9	42165010	230	2x9
42152500	230	2x12	42161120	230	2x12	42162500	230	2x12	42165020	230	2x12
42153000	230	2x15	42161130	230	2x15	42163000	230	2x15	42165030	230	2x15
42153500	230	2x18	42161140	230	2x18	42163500	230	2x18	42165040	230	2x18
42154000	230	2x21	42161150	230	2x21	42164000	230	2x21	42165050	230	2x21
On Request	115	2x6	On Request	115	2x6	On Request	115	2x6	On Request	115	2x6
On Request	115		On Request	115		On Request	115		On Request	115	
On Request	115		On Request	115		On Request	115		On Request	115	
On Request	115	2x21	On Request	115	2x21	On Request	115	2x21	On Request	115	2x21



Dati tecnici	Technical data
Conformità alle norme CEI EN 61558 - RoHS	CEI EN 61558 approved - RoHS
Certificazione internazionale ENEC	ENEC international certification
Non protetto contro il corto circuito	Not protected against the shortcircuit
Tensione di isolamento 3750 VAC	Insulation voltage 3750 VAC
Frequenza nominale 50/60 Hz	Nominal frequency 50/60 Hz
Temperatura ambiente 40 °C	Ambient temperature 40 °C
Sistema di isolamento classe B	Class B insulation system
Grado di protezione IP00	Degree of protection IP00
Rocchetto a doppia camera	Two chambers coilformer
Avvolgimenti in rame smaltato classe H	Class H enamelled copper wire coils
Vernice Isolante	Finishing varnish
Test elettrici sul 100% della produzione	100% tested production

Iso 9001 Certified





### FASTON VERSION

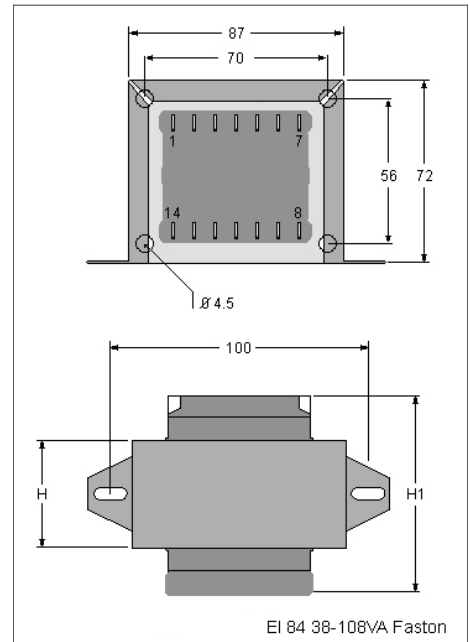
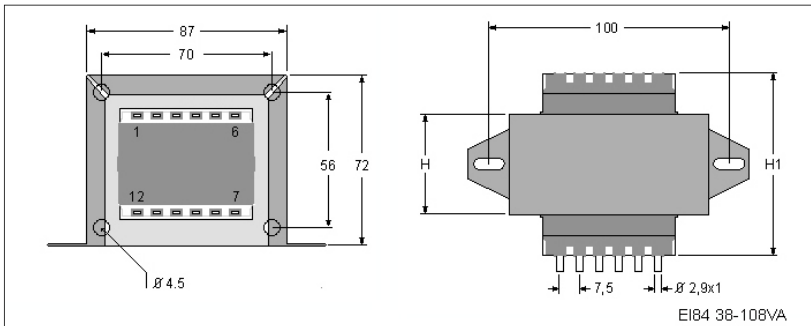
PRI (1-7) - SEC (9-13)  
 PRI (1-7) - 2xSEC (8-9-13-14)

Codice con 2 nel finale: xxxxxxx2  
 Code with 2 in the final: xxxxxxx2

38VA H1=75 mm    72VA H1=94 mm  
 50VA H1=82 mm    81VA H1=99 mm  
 55VA H1=84 mm    90VA H1=104 mm  
 63VA H1=89 mm    108VA H1=114 mm

Dimensioni fisiche in mm    Physical dimension in mm

72VA EI 84/40 H1=78mm W. 1.73Kg			81VA EI 84/45 H1=83mm W. 1.95Kg			90VA EI 84/50 H1=88mm W. 2.16Kg			108VA EI 84/60 H1=98mm W. 2.58Kg		
Pins	1-6	8-11	Pins	1-6	8-11	Pins	1-6	8-11	Pins	1-6	8-11
Code	Pri (V)	Sec(V)	Code	Pri (V)	Sec(V)	Code	Pri (V)	Sec(V)	Code	Pri (V)	Sec(V)
42165500	230	6	42169500	230	6	42170000	230	6	42171700	230	6
42165510	230	9	42169510	230	9	42170010	230	9	42171710	230	9
42165520	230	12	42169520	230	12	42170020	230	12	42171720	230	12
42165530	230	15	42169530	230	15	42170030	230	15	42171730	230	15
42165540	230	18	42169540	230	18	42170040	230	18	42171740	230	18
42165550	230	24	42169550	230	24	42170050	230	24	42171750	230	24
On Request	115	6	On Request	115	6	On Request	115	6	On Request	115	6
On Request	115	9	On Request	115	9	On Request	115	9	On Request	115	9
On Request	115	12	On Request	115	12	On Request	115	12	On Request	115	12
On Request	115	15	On Request	115	15	On Request	115	15	On Request	115	15
On Request	115	18	On Request	115	18	On Request	115	18	On Request	115	18
On Request	115	24	On Request	115	24	On Request	115	24	On Request	115	24
Pins	1-6	7-8 11-12	Pins	1-6	7-8 11-12	Pins	1-6	7-8 11-12	Pins	1-6	7-8 11-12
42166500	230	2x6	42169600	230	2x6	42170100	230	2x6	42171800	230	2x6
42167000	230	2x9	42169610	230	2x9	42170110	230	2x9	42171900	230	2x9
42167500	230	2x12	42169620	230	2x12	42170120	230	2x12	42172000	230	2x12
42168000	230	2x15	42169630	230	2x15	42170130	230	2x15	42172500	230	2x15
42168500	230	2x18	42169640	230	2x18	42170140	230	2x18	42173000	230	2x18
42169000	230	2x21	42169650	230	2x21	42170150	230	2x21	42173500	230	2x21
On Request	115	2x6	On Request	115	2x6	On Request	115	2x6	On Request	115	2x6
On Request	115		On Request	115		On Request	115		On Request	115	
On Request	115		On Request	115		On Request	115		On Request	115	
On Request	115	2x21	On Request	115	2x21	On Request	115	2x21	On Request	115	2x21



Dati tecnici	Technical data
Conformità alle norme CEI EN 61558 - RoHS	CEI EN 61558 approved - RoHS
Certificazione internazionale ENEC	ENEC international certification
Non protetto contro il corto circuito	Not protected against the shortcircuit
Tensione di isolamento 3750 VAC	Insulation voltage 3750 VAC
Frequenza nominale 50/60 Hz	Nominal frequency 50/60 Hz
Temperatura ambiente 40 °C	Ambient temperature 40 °C
Sistema di isolamento classe B	Class B insulation system
Grado di protezione IP00	Degree of protection IP00
Rocchetto a doppia camera	Two chambers coilformer
Avvolgimenti in rame smaltato classe H	Class H enamelled copper wire coils
Vernice Isolante	Finishing varnish
Test elettrici sul 100% della produzione	100% tested production

Iso 9001 Certified

