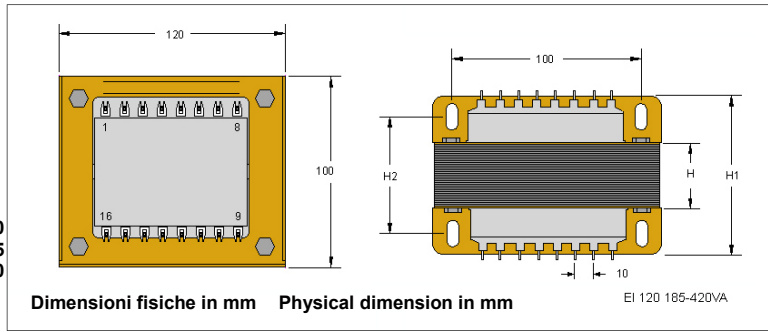




185VA H2= 65
210VA H2= 70
240VA H2= 75
265VA H2= 80
290VA H2= 85
315VA H2= 90
340VA H2= 95
370VA H2=100
390VA H2=105
420VA H2=110



185VA EI120/35 H1=85mm W. 3.6Kg				210VA EI120/40 H1=90mm W. 4.0Kg				240VA EI120/45 H1=95mm W. 4.3Kg				265VA EI120/50 H1=100mm W. 4.8Kg			
Pins	1-8	10-15		Pins	1-8	10-15		Pins	1-8	10-15		Pins	1-8	10-15	
Code	Pri (V)	Sec(V)		Code	Pri (V)	Sec(V)		Code	Pri (V)	Sec(V)		Code	Pri (V)	Sec(V)	
42180001	230	6		42187011	230	6		42189001	230	6		42193101	230	6	
42180101	230	9		42187101	230	9		42189101	230	9		42193111	230	9	
42180201	230	12		42187201	230	12		42189201	230	12		42193121	230	12	
42180301	230	15		42187301	230	15		42189301	230	15		42193131	230	15	
42180401	230	18		42187401	230	18		42189401	230	18		42193141	230	18	
42180501	230	24		42187501	230	24		42189501	230	24		42193151	230	24	
On Request	115	6		On Request	115	6		On Request	115	6		On Request	115	6	
On Request	115	9		On Request	115	9		On Request	115	9		On Request	115	9	
On Request	115	12		On Request	115	12		On Request	115	12		On Request	115	12	
On Request	115	15		On Request	115	15		On Request	115	15		On Request	115	15	
On Request	115	18		On Request	115	18		On Request	115	18		On Request	115	18	
On Request	115	24		On Request	115	24		On Request	115	24		On Request	115	24	
Pins	1-8	9-10	15-16	Pins	1-8	9-10	15-16	Pins	1-8	9-10	15-16	Pins	1-8	9-10	15-16
42181001	230	2x6		42185501	230	2x6		42190501	230	2x6		42193501	230	2x6	
42181501	230	2x9		42186001	230	2x9		42191001	230	2x9		42193511	230	2x9	
42182001	230	2x12		42186501	230	2x12		42191501	230	2x12		42193521	230	2x12	
42182501	230	2x15		42187001	230	2x15		42192001	230	2x15		42193531	230	2x15	
42183001	230	2x18		42187511	230	2x18		42192501	230	2x18		42193541	230	2x18	
42183501	230	2x21		42188001	230	2x21		42193001	230	2x21		42193551	230	2x21	
On Request	115	2x6		On Request	115	2x6		On Request	115	2x6		On Request	115	2x6	
On Request	115			On Request	115			On Request	115			On Request	115		
On Request	115			On Request	115			On Request	115			On Request	115		
On Request	115	2x21		On Request	115	2x21		On Request	115	2x21		On Request	115	2x21	

290VA EI120/55 H1=105mm W. 5.2Kg				315VA EI120/60 H1=110mm W. 5.7Kg				340VA EI120/65 H1=115mm W. 6.0Kg				370VA EI120/70 H1=120mm W. 6.4Kg			
Pins	1-8	10-15		Pins	1-8	10-15		Pins	1-8	10-15		Pins	1-8	10-15	
Code	Pri (V)	Sec(V)		Code	Pri (V)	Sec(V)		Code	Pri (V)	Sec(V)		Code	Pri (V)	Sec(V)	
42194001	230	6		42195001	230	6		42196001	230	6		42198101	230	6	
42194011	230	9		42195011	230	9		42196011	230	9		42198111	230	9	
42194021	230	12		42195021	230	12		42196021	230	12		42198121	230	12	
42194031	230	15		42195031	230	15		42196031	230	15		42198131	230	15	
42194041	230	18		42195041	230	18		42196041	230	18		42198141	230	18	
42194051	230	24		42195051	230	24		42196051	230	24		42198151	230	24	
On Request	115	6		On Request	115	6		On Request	115	6		On Request	115	6	
On Request	115	9		On Request	115	9		On Request	115	9		On Request	115	9	
On Request	115	12		On Request	115	12		On Request	115	12		On Request	115	12	
On Request	115	15		On Request	115	15		On Request	115	15		On Request	115	15	
On Request	115	18		On Request	115	18		On Request	115	18		On Request	115	18	
On Request	115	24		On Request	115	24		On Request	115	24		On Request	115	24	
Pins	1-8	9-10	15-16	Pins	1-8	9-10	15-16	Pins	1-8	9-10	15-16	Pins	1-8	9-10	15-16
42194501	230	2x6		42195501	230	2x6		42196301	230	2x6		42198201	230	2x6	
42194511	230	2x9		42195511	230	2x9		42196401	230	2x9		42198211	230	2x9	
42194521	230	2x12		42195521	230	2x12		42196501	230	2x12		42198221	230	2x12	
42194531	230	2x15		42195531	230	2x15		42197001	230	2x15		42198231	230	2x15	
42194541	230	2x18		42195541	230	2x18		42197501	230	2x18		42198241	230	2x18	
42194551	230	2x21		42195551	230	2x21		42198001	230	2x21		42198251	230	2x21	
On Request	115	2x6		On Request	115	2x6		On Request	115	2x6		On Request	115	2x6	
On Request	115			On Request	115			On Request	115			On Request	115		
On Request	115			On Request	115			On Request	115			On Request	115		
On Request	115	2x21		On Request	115	2x21		On Request	115	2x21		On Request	115	2x21	

Dati tecnici	Technical data
Conformità norme EN 61558-UL 5085	EN 61558-UL5085 approved
Marchio ENEC; classe B	ENEC mark; class B
Marchio cURus (UL+CSA); classe A	cURus mark; class A
Tensione di isolamento 3750 VAC	Insulation voltage 3750 VAC
Frequenza nominale 50/60 Hz	Nominal frequency 50/60 Hz
Temperatura ambiente 40 °C	Ambient temperature 40 °C
Conforme alla direttiva RoHS	RoHS conform
Grado di protezione IP00	Degree of protection IP00
Rocchetto a doppia camera	Two chambers coilformer
Avvolgimenti in rame smaltato classe H	Class H enamelled copper wire coils
Vernice isolante	Finishing varnish
Test elettrici sul 100% della produzione	100% tested production

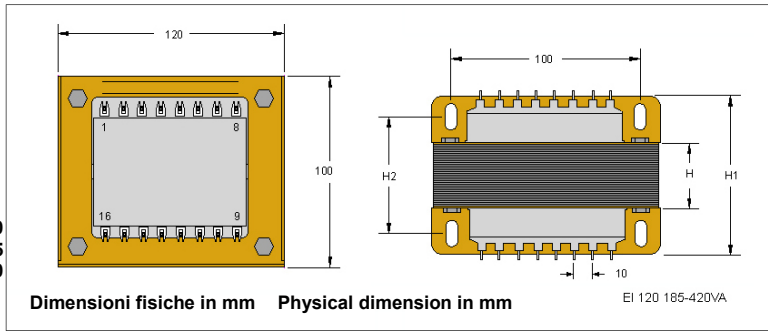


Su richiesta primario fino a 600V secondario fino a 600V
On request primary up to 600V secondary up to 600V





- 185VA H2= 65
- 210VA H2= 70
- 240VA H2= 75
- 265VA H2= 80
- 290VA H2= 85
- 315VA H2= 90
- 340VA H2= 95
- 370VA H2=100
- 390VA H2=105
- 420VA H2=110



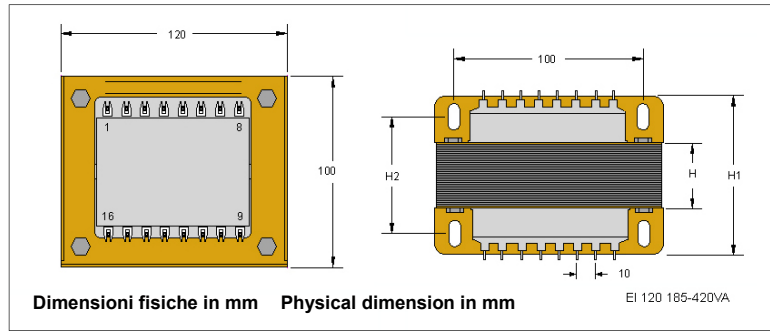
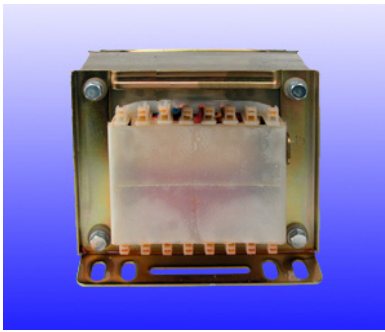
390VA EI120/75 H1=125mm W. 6.9Kg			420VA EI120/80 H1=130mm W. 7.0Kg		
Pins	1-8	10-15	Pins	1-8	10-15
Code	Pri (V)	Sec(V)	Code	Pri (V)	Sec(V)
42198501	230	6	42199001	230	6
42198511	230	9	42199011	230	9
42198521	230	12	42199021	230	12
42198531	230	15	42199031	230	15
42198541	230	18	42199041	230	18
42198551	230	24	42199051	230	24
On Request	115	6	On Request	115	6
On Request	115	9	On Request	115	9
On Request	115	12	On Request	115	12
On Request	115	15	On Request	115	15
On Request	115	18	On Request	115	18
On Request	115	24	On Request	115	24
Pins	1-8	9-10 15-16	Pins	1-8	9-10 15-16
42198601	230	2x6	42199501	230	2x6
42198611	230	2x9	42199511	230	2x9
42198621	230	2x12	42199521	230	2x12
42198631	230	2x15	42199531	230	2x15
42198641	230	2x18	42199541	230	2x18
42198651	230	2x21	42199551	230	2x21
On Request	115	2x6	On Request	115	2x6
On Request	115		On Request	115	
On Request	115		On Request	115	
On Request	115	2x21	On Request	115	2x21

Dati tecnici	Technical data
Conformità norme EN 61558-UL 5085	EN 61558-UL5085 approved
Marchio ENEC; classe B	ENEC mark; class B
Marchio cURus (UL+CSA); classe A	cURus mark; class A
Tensione di isolamento 3750 VAC	Insulation voltage 3750 VAC
Frequenza nominale 50/60 Hz	Nominal frequency 50/60 Hz
Temperatura ambiente 40 °C	Ambient temperature 40 °C
Conforme alla direttiva RoHS	RoHS conform
Grado di protezione IP00	Degree of protection IP00
Rocchetto a doppia camera	Two chambers coilformer
Avvolgimenti in rame smaltato classe H	Class H enamelled copper wire coils
Vernice isolante	Finishing varnish
Test elettrici sul 100% della produzione	100% tested production



Su richiesta primario fino a 600V secondario fino a 600V
On request primary up to 600V secondary up to 600V





185VA EI120/35 H1=85mm W. 3.6Kg				210VA EI120/40 H1=90mm W. 4.0Kg				240VA EI120/45 H1=95mm W. 4.3Kg				265VA EI120/50 H1=100mm W. 4.8Kg			
Pins	1-8	10-15		Pins	1-8	10-15		Pins	1-8	10-15		Pins	1-8	10-15	
Code	Pri (V)	Sec(V)		Code	Pri (V)	Sec(V)		Code	Pri (V)	Sec(V)		Code	Pri (V)	Sec(V)	
42180000	230	6		42187010	230	6		42189000	230	6		42193100	230	6	
42180100	230	9		42187100	230	9		42189100	230	9		42193110	230	9	
42180200	230	12		42187200	230	12		42189200	230	12		42193120	230	12	
42180300	230	15		42187300	230	15		42189300	230	15		42193130	230	15	
42180400	230	18		42187400	230	18		42189400	230	18		42193140	230	18	
42180500	230	24		42187500	230	24		42189500	230	24		42193150	230	24	
On Request	115	6		On Request	115	6		On Request	115	6		On Request	115	6	
On Request	115	9		On Request	115	9		On Request	115	9		On Request	115	9	
On Request	115	12		On Request	115	12		On Request	115	12		On Request	115	12	
On Request	115	15		On Request	115	15		On Request	115	15		On Request	115	15	
On Request	115	18		On Request	115	18		On Request	115	18		On Request	115	18	
On Request	115	24		On Request	115	24		On Request	115	24		On Request	115	24	
Pins	1-8	9-10	15-16	Pins	1-8	9-10	15-16	Pins	1-8	9-10	15-16	Pins	1-8	9-10	15-16
42181000	230	2x6		42185500	230	2x6		42190500	230	2x6		42193500	230	2x6	
42181500	230	2x9		42186000	230	2x9		42191000	230	2x9		42193510	230	2x9	
42182000	230	2x12		42186500	230	2x12		42191500	230	2x12		42193520	230	2x12	
42182500	230	2x15		42187000	230	2x15		42192000	230	2x15		42193530	230	2x15	
42183000	230	2x18		42187510	230	2x18		42192500	230	2x18		42193540	230	2x18	
42183500	230	2x21		42188000	230	2x21		42193000	230	2x21		42193550	230	2x21	
On Request	115	2x6		On Request	115	2x6		On Request	115	2x6		On Request	115	2x6	
On Request	115			On Request	115			On Request	115			On Request	115		
On Request	115			On Request	115			On Request	115			On Request	115		
On Request	115	2x21		On Request	115	2x21		On Request	115	2x21		On Request	115	2x21	

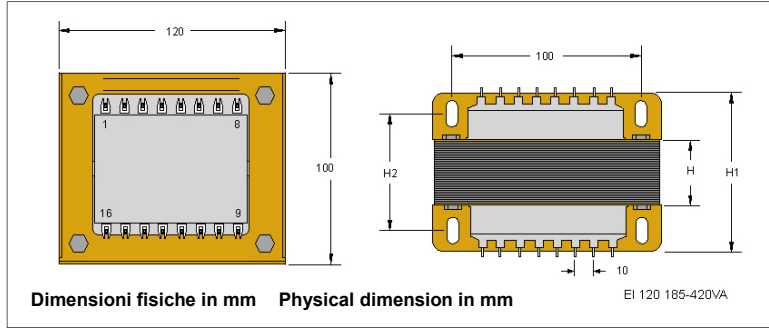
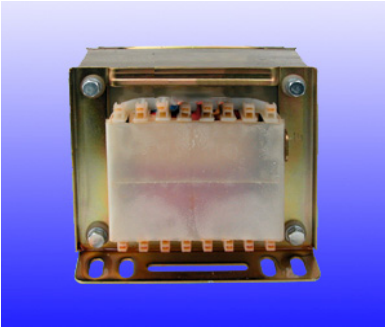
290VA EI120/55 H1=105mm W. 5.2Kg				315VA EI120/60 H1=110mm W. 5.7Kg				340VA EI120/65 H1=115mm W. 6.0Kg				370VA EI120/70 H1=120mm W. 6.4Kg			
Pins	1-8	10-15		Pins	1-8	10-15		Pins	1-8	10-15		Pins	1-8	10-15	
Code	Pri (V)	Sec(V)		Code	Pri (V)	Sec(V)		Code	Pri (V)	Sec(V)		Code	Pri (V)	Sec(V)	
42194000	230	6		42195000	230	6		42196000	230	6		42198100	230	6	
42194010	230	9		42195010	230	9		42196010	230	9		42198110	230	9	
42194020	230	12		42195020	230	12		42196020	230	12		42198120	230	12	
42194030	230	15		42195030	230	15		42196030	230	15		42198130	230	15	
42194040	230	18		42195040	230	18		42196040	230	18		42198140	230	18	
42194050	230	24		42195050	230	24		42196050	230	24		42198150	230	24	
On Request	115	6		On Request	115	6		On Request	115	6		On Request	115	6	
On Request	115	9		On Request	115	9		On Request	115	9		On Request	115	9	
On Request	115	12		On Request	115	12		On Request	115	12		On Request	115	12	
On Request	115	15		On Request	115	15		On Request	115	15		On Request	115	15	
On Request	115	18		On Request	115	18		On Request	115	18		On Request	115	18	
On Request	115	24		On Request	115	24		On Request	115	24		On Request	115	24	
Pins	1-8	9-10	15-16	Pins	1-8	9-10	15-16	Pins	1-8	9-10	15-16	Pins	1-8	9-10	15-16
42194500	230	2x6		42195500	230	2x6		42196300	230	2x6		42198200	230	2x6	
42194510	230	2x9		42195510	230	2x9		42196400	230	2x9		42198210	230	2x9	
42194520	230	2x12		42195520	230	2x12		42196500	230	2x12		42198220	230	2x12	
42194530	230	2x15		42195530	230	2x15		42197000	230	2x15		42198230	230	2x15	
42194540	230	2x18		42195540	230	2x18		42197500	230	2x18		42198240	230	2x18	
42194550	230	2x21		42195550	230	2x21		42198000	230	2x21		42198250	230	2x21	
On Request	115	2x6		On Request	115	2x6		On Request	115	2x6		On Request	115	2x6	
On Request	115			On Request	115			On Request	115			On Request	115		
On Request	115			On Request	115			On Request	115			On Request	115		
On Request	115	2x21		On Request	115	2x21		On Request	115	2x21		On Request	115	2x21	

Dati tecnici	Technical data
Conformità alle norme CEI EN 61558 - RoHS	CEI EN 61558 approved - RoHS
Certificazione internazionale ENEC	ENEC international certification
Non protetto contro il corto circuito	Not protected against the shortcircuit
Tensione di isolamento 3750 VAC	Insulation voltage 3750 VAC
Frequenza nominale 50/60 Hz	Nominal frequency 50/60 Hz
Temperatura ambiente 40 °C	Ambient temperature 40 °C
Sistema di isolamento classe B	Class B insulation system
Grado di protezione IP00	Degree of protection IP00
Rocchetto a doppia camera	Two chambers coilformer
Avvolgimenti in rame smaltato classe H	Class H enamelled copper wire coils
Vernice Isolante	Finishing varnish
Test elettrici sul 100% della produzione	100% tested production

- 185VA H2= 65 mm
- 210VA H2= 70 mm
- 240VA H2= 75 mm
- 265VA H2= 80 mm
- 290VA H2= 85 mm
- 315VA H2= 90 mm
- 340VA H2= 95 mm
- 370VA H2=100 mm
- 390VA H2=105 mm
- 420VA H2=110 mm

Iso 9001 Certified





390VA EI120/75 H1=125mm W. 6.9Kg			420VA EI120/80 H1=130mm W. 7.0Kg		
Pins	1-8	10-15	Pins	1-8	10-15
Code	Pri (V)	Sec(V)	Code	Pri (V)	Sec(V)
42198500	230	6	42199000	230	6
42198510	230	9	42199010	230	9
42198520	230	12	42199020	230	12
42198530	230	15	42199030	230	15
42198540	230	18	42199040	230	18
42198550	230	24	42199050	230	24
On Request	115	6	On Request	115	6
On Request	115	9	On Request	115	9
On Request	115	12	On Request	115	12
On Request	115	15	On Request	115	15
On Request	115	18	On Request	115	18
On Request	115	24	On Request	115	24
Pins	1-8	9-10 15-16	Pins	1-8	9-10 15-16
42198600	230	2x6	42199500	230	2x6
42198610	230	2x9	42199510	230	2x9
42198620	230	2x12	42199520	230	2x12
42198630	230	2x15	42199530	230	2x15
42198640	230	2x18	42199540	230	2x18
42198650	230	2x21	42199550	230	2x21
On Request	115	2x6	On Request	115	2x6
On Request	115		On Request	115	
On Request	115		On Request	115	
On Request	115	2x21	On Request	115	2x21

Dati tecnici	Technical data
Conformità alle norme CEI EN 61558 - RoHS	CEI EN 61558 approved - RoHS
Certificazione internazionale ENEC	ENEC international certification
Non protetto contro il corto circuito	Not protected against the shortcircuit
Tensione di isolamento 3750 VAC	Insulation voltage 3750 VAC
Frequenza nominale 50/60 Hz	Nominal frequency 50/60 Hz
Temperatura ambiente 40 °C	Ambient temperature 40 °C
Sistema di isolamento classe B	Class B insulation system
Grado di protezione IP00	Degree of protection IP00
Rocchetto a doppia camera	Two chambers coilformer
Avvolgimenti in rame smaltato classe H	Class H enamelled copper wire coils
Vernice Isolante	Finishing varnish
Test elettrici sul 100% della produzione	100% tested production

- 185VA H2= 65 mm
- 210VA H2= 70 mm
- 240VA H2= 75 mm
- 265VA H2= 80 mm
- 290VA H2= 85 mm
- 315VA H2= 90 mm
- 340VA H2= 95 mm
- 370VA H2=100 mm
- 390VA H2=105 mm
- 420VA H2=110 mm

Iso 9001 Certified

